

# Cellcomprime

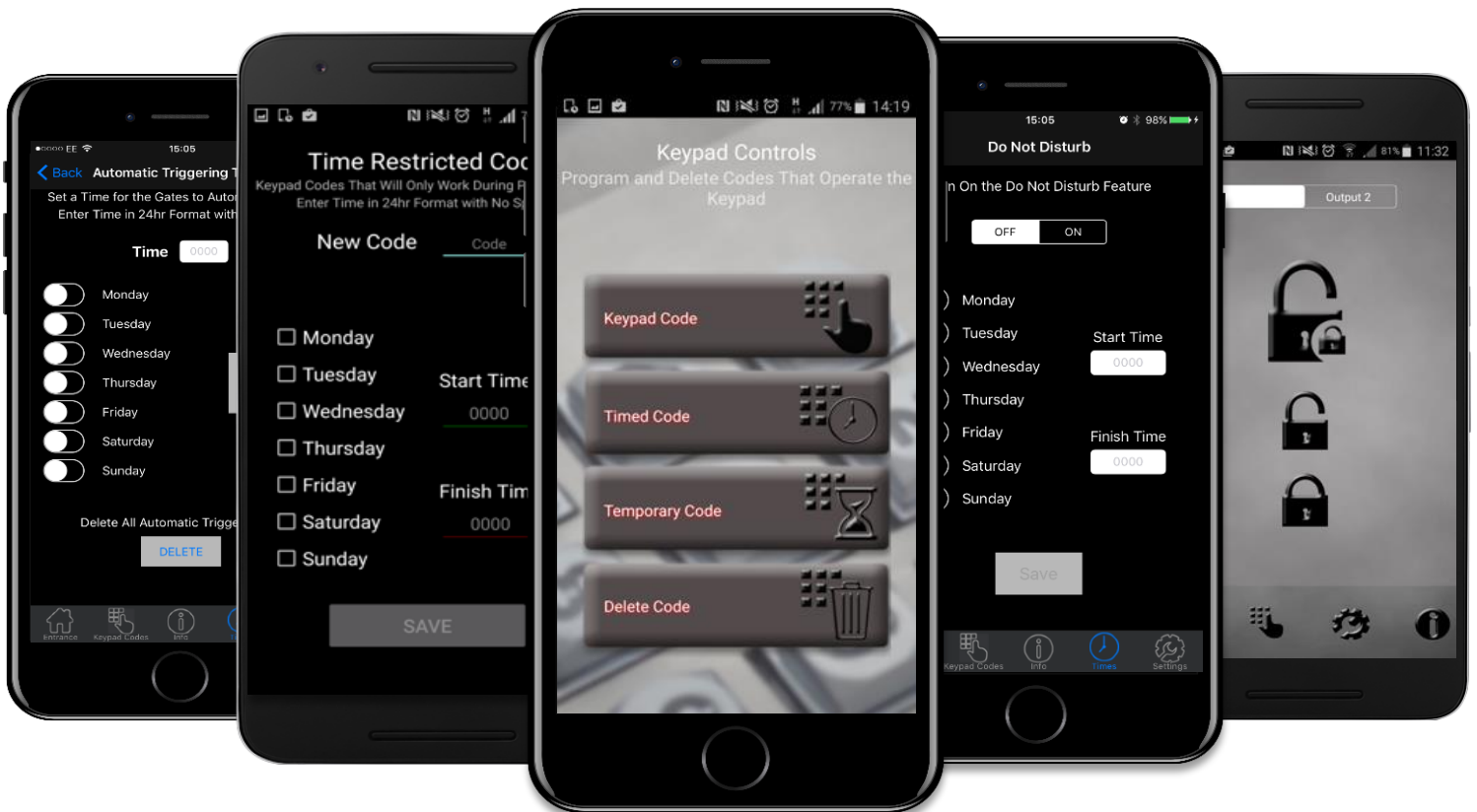
Advanced GSM Intercom

Cellcom  
Prime

- Set automatic gate open & close times\*.
- Do not disturb watershed time.
- User history log to your phone.



- Add keypad codes by APP.
- Built in time clock.
- Issue time restricted codes.
- Trigger & latch open gates.



# Cellcomprime

Advanced GSM Intercom



## Technical Details

Dial out numbers	4
Permanent codes	200
Time restricted codes	20
Temporary codes	30
Automatic trigger events per week	40
Caller ID numbers	100

Power supply	12-24v dc (24v dc adaptor included)
Relays	2
Relay type	N/C and N/O
Relay load	2 amps 24v ac max
Power consumption	300mA on dial out, 2amp peak demand
Modem models	2G quad band, 3G EU, 3G USA

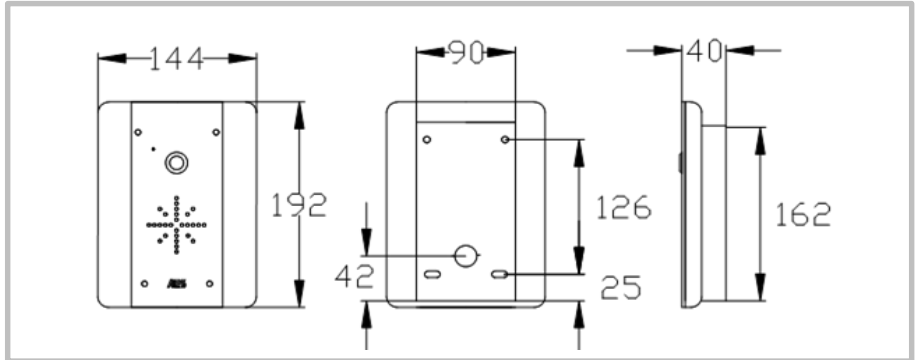
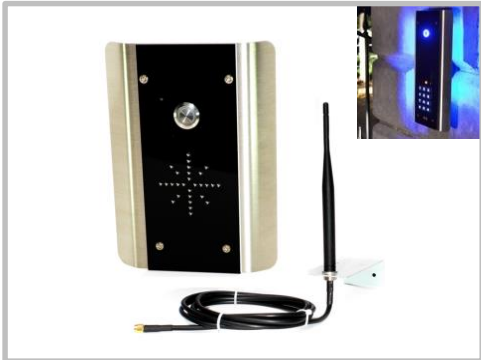
**NEW**

# Cellcomprime

## Kits & Part numbers

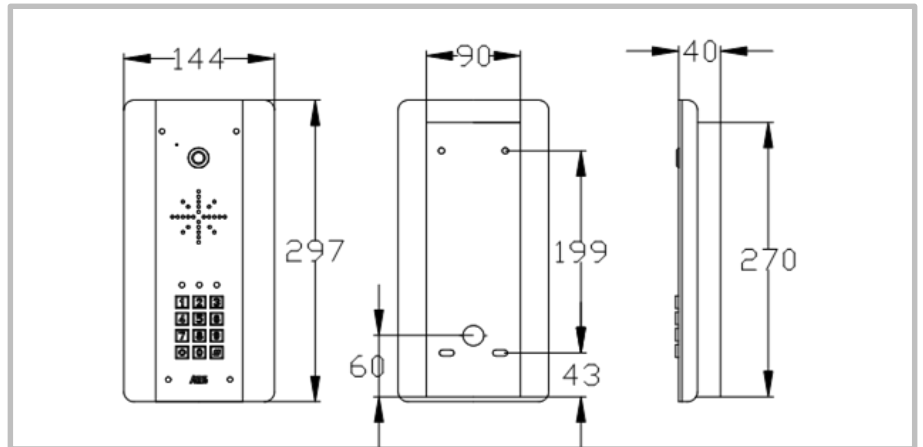
### Architectural Panel

CellCom  
Prime



GSM-5AB	PRIME model (2G only)
GSM-5AB/3GE	PRIME model with dual 3G/2G capability (European & Australian version)
GSM-5AB/3GA	PRIME model with dual 3G/2G capability (US & Canada version)

-Stylish curved architectural model. Constructed from BS316 marine grade stainless steel and finished with gloss black acrylic trim. Modern blue backlighting.  
-Kit includes speech panel, antenna, power supply and install manual.



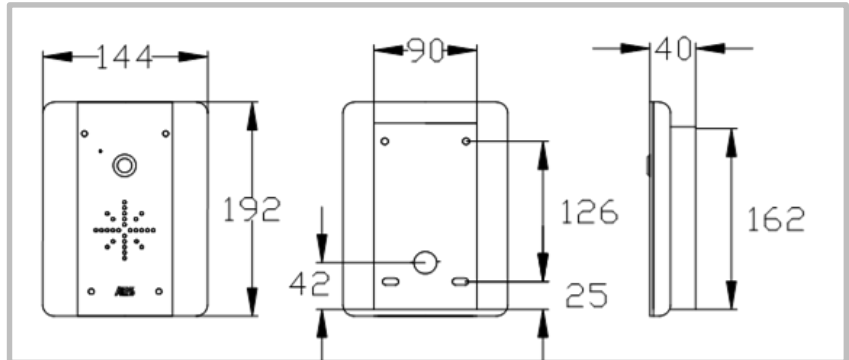
GSM-5ABK	PRIME model (2G only)
GSM-5ABK/3GE	PRIME model with dual 3G/2G capability (European & Australian version)
GSM-5ABK/3GA	PRIME model with dual 3G/2G capability (US & Canada version)

-Stylish curved architectural model. Constructed from BS316 marine grade stainless steel and finished with gloss black acrylic trim. Modern blue backlighting.  
-Kit includes power supply, antenna and install manual.

# Cellcomprime

## Kits & Part numbers

### All Stainless Architectural Panel

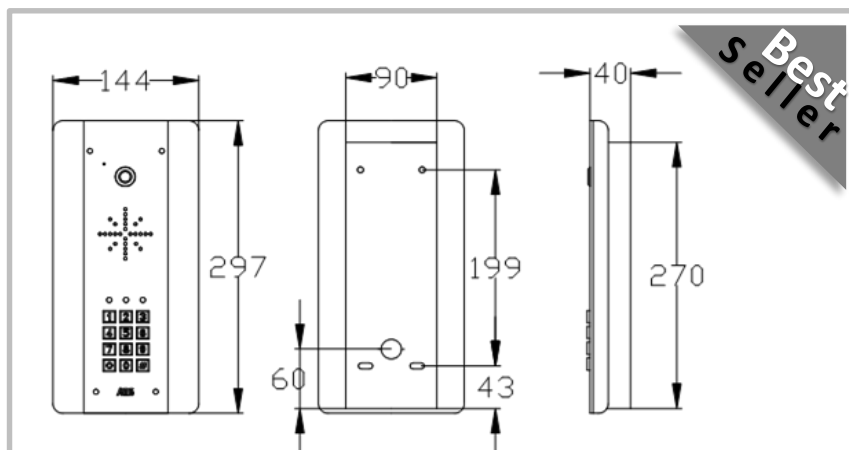


CellCom  
Prime

GSM-5AS	PRIME model (2G only)
GSM-5AS/3GE	PRIME model with dual 3G/2G capability (European & Australian version)
GSM-5AS/3GA	PRIME model with dual 3G/2G capability (US & Canada version)

-Curved architectural model in an attractive and rugged all brushed BS316 marine grade stainless steel, with modern cool white back lighting illumination.  
-Kit includes speech panel, antenna, power supply and install manual.

### All Stainless Architectural with Keypad



Best  
Seller

GSM-5ASK	PRIME model (2G only)
GSM-5ASK/3GE	PRIME model with dual 3G/2G capability (European & Australian version)
GSM-5ASK/3GA	PRIME model with dual 3G/2G capability (US & Canada version)

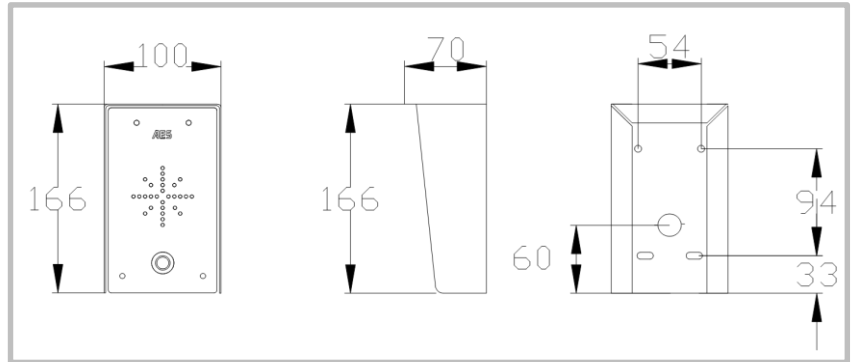
-Curved architectural model in an attractive and rugged all brushed BS316 marine grade stainless steel, with modern cool white back lighting illumination.  
-Kit includes power supply, antenna and install manual.

# Cellcomprime

## Kits & Part numbers

Imperial Range - NEW DESIGN!

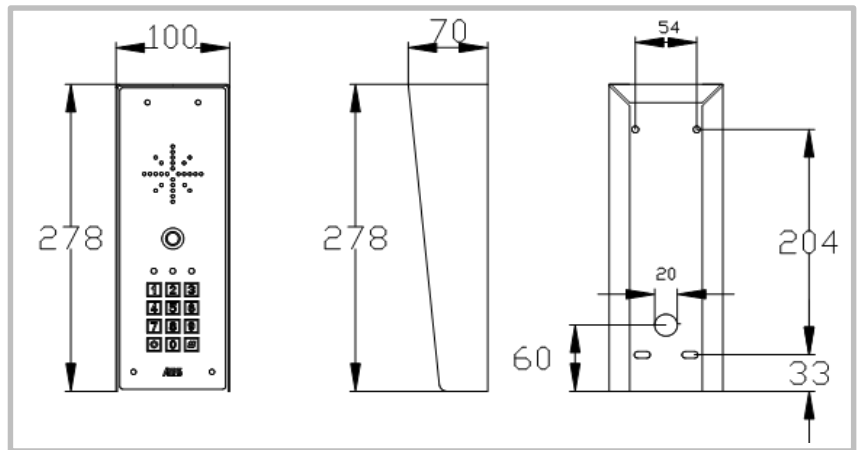
CellCom  
Prime



GSM-5IMP	PRIME model (2G only)
GSM-5IMP/3GE	PRIME model with dual 3G/2G capability (European & Australian version)
GSM-5IMP/3GA	PRIME model with dual 3G/2G capability (US & Canada version)

-Ultra stylish all black panel, with textured powder coated aluminium hood, and gloss black acrylic facia trim over a tough metal back plate. Complete with modern white illuminated push button.  
-Kit includes speech panel, antenna, power supply and install manual.

Imperial panel with keypad - NEW DESIGN!



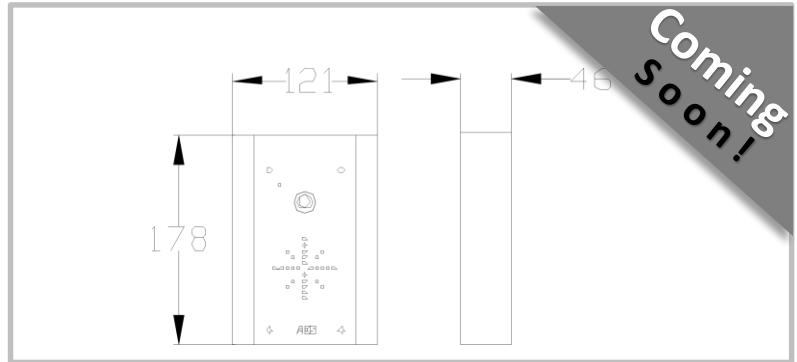
GSM-5IMPK	PRIME model (2G only)
GSM-5IMPK/3GE	PRIME model with dual 3G/2G capability (European & Australian version)
GSM-5IMPK/3GA	PRIME model with dual 3G/2G capability (US & Canada version)

-Ultra stylish all black panel, with textured powder coated aluminium hood, and gloss black acrylic facia trim over a tough metal back plate. Complete with modern white illuminated buttons.  
-Kit includes power supply, antenna and install manual.

# Cellcomprime

Kits & Part numbers

EDGE Range - NEW DESIGN!

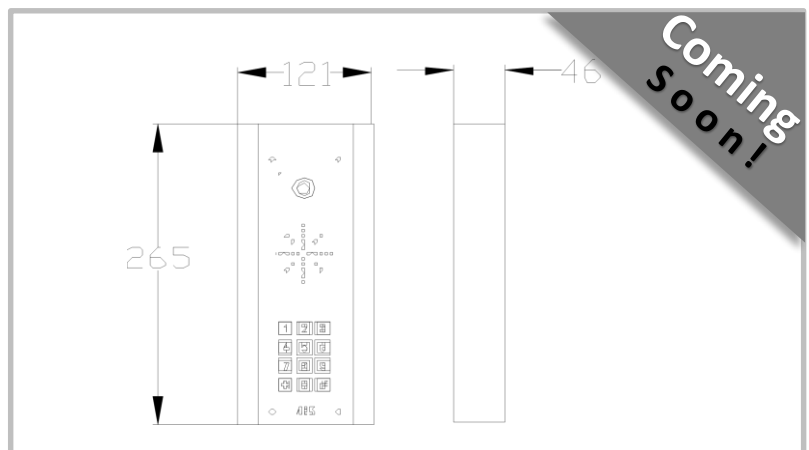


CellCom  
Prime

GSM-5ED	Edge Style GSM PRIME model (2G only)
GSM-5ED/3GE	PRIME model with dual 3G/2G capability (European & Australian version)
GSM-5ED/3GA	PRIME model with dual 3G/2G capability (US & Canada version)

-Edge lit in modern blue trim, with stainless steel back box, faceplate, trimmed with modern gloss black acrylic.  
-Kit includes speech panel, antenna, power supply and install manual.

Edge panel with keypad - NEW DESIGN!



GSM-5EDK	EDGE Style GSM PRIME model with Keypad (2G only)
GSM-5EDK/3GE	PRIME model with dual 3G/2G capability (European & Australian version)
GSM-5EDK/3GA	PRIME model with dual 3G/2G capability (US & Canada version)

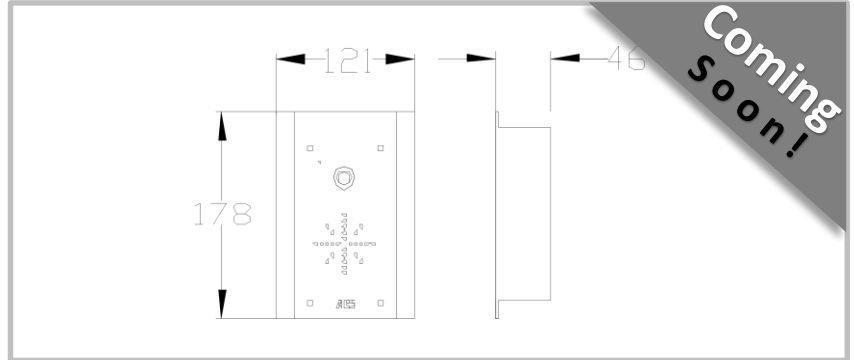
-Edge lit in modern blue trim, with stainless steel back box, faceplate, trimmed with modern gloss black acrylic.  
-Kit includes speech panel, antenna, power supply and install manual.

# Cellcomprime

Kits & Part numbers

EDGE Range - NEW DESIGN!

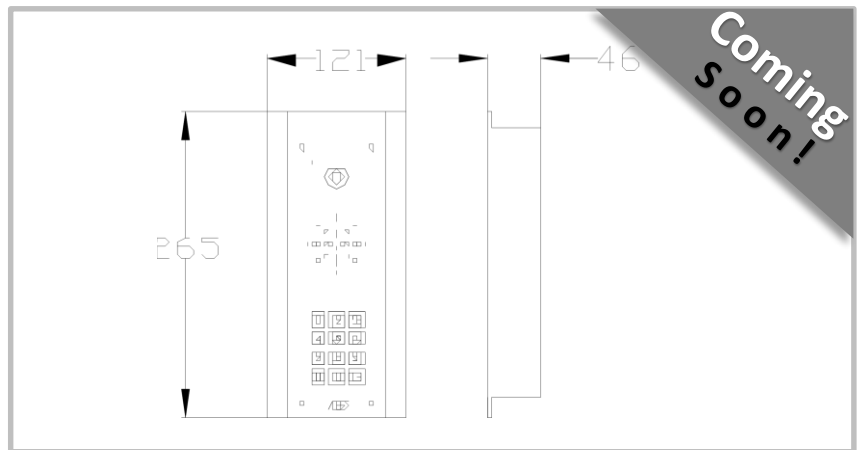
CellCom  
Prime



GSM-5EDF	2G Edge Style GSM PRIME Flush model
GSM-5EDF/3GE	PRIME model with dual 3G/2G capability (European & Australian version) (Flush Model)
GSM-5EDF/3GA	PRIME model with dual 3G/2G capability (US & Canada version) (Flush Model)

-Edge lit in modern blue trim, with stainless steel back box, faceplate, trimmed with modern gloss black acrylic.  
-Kit includes speech panel, antenna, power supply and install manual.

Imperial panel with keypad - NEW DESIGN!



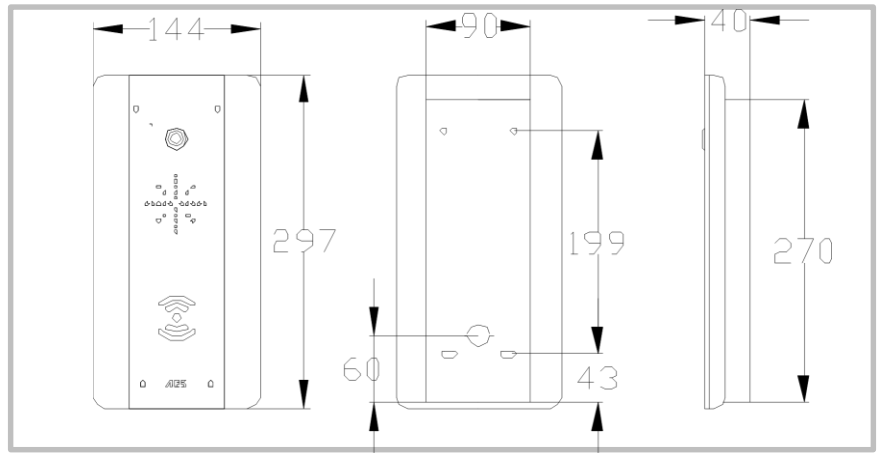
GSM-5EDFK	PRIME 2G EDGE Style GSM Intercom with Keypad (Flush Model)
GSM-5EDFK/3GE	PRIME model with dual 3G/2G capability (European & Australian version) (Flush Model)
GSM-5EDFK/3GA	PRIME model with dual 3G/2G capability (US & Canada version) (Flush Model)

-Edge lit in modern blue trim, with stainless steel back box, faceplate, trimmed with modern gloss black acrylic.  
-Kit includes speech panel, antenna, power supply and install manual.

# Cellcomprime

## Kits & Part numbers

### Architectural Panel with Prox Reader

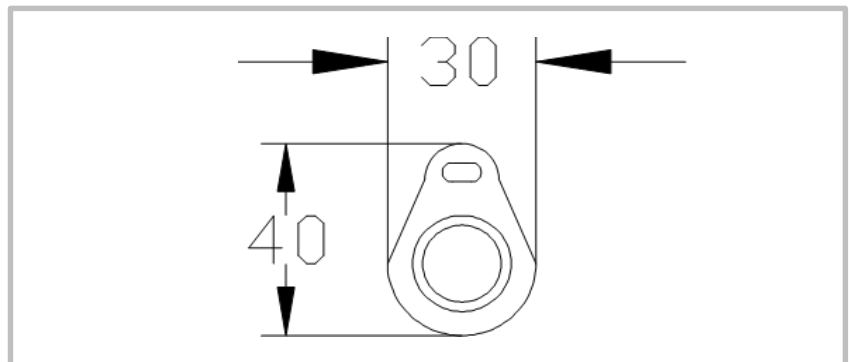


CellCom  
Prime

GSM-5ABP	PRIME model (2G only)
GSM-5ABP/3GE	PRIME model with dual 3G/2G capability (European & Australian version)
GSM-5ABP/3GA	PRIME model with dual 3G/2G capability (US & Canada version)

- Curved architectural model with proximity reader.
- Comes with 3 user tags, 1 add tag and 1 delete tag.
- Can store up to 1000 user tags.
- BS316 marine grade stainless steel construction, with gloss black acrylic, and modern blue back lighting.

### Additional Prox Tags



PROX1	Additional Prox Tag.
-------	----------------------

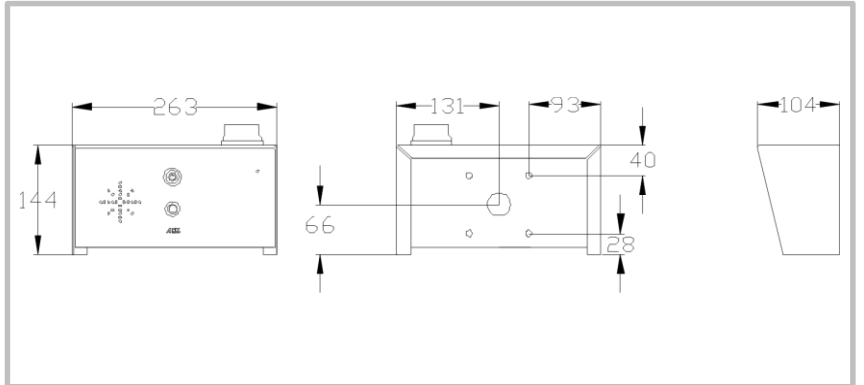


# Cellcomprime

## Kits & Part numbers

### Industrial Panel

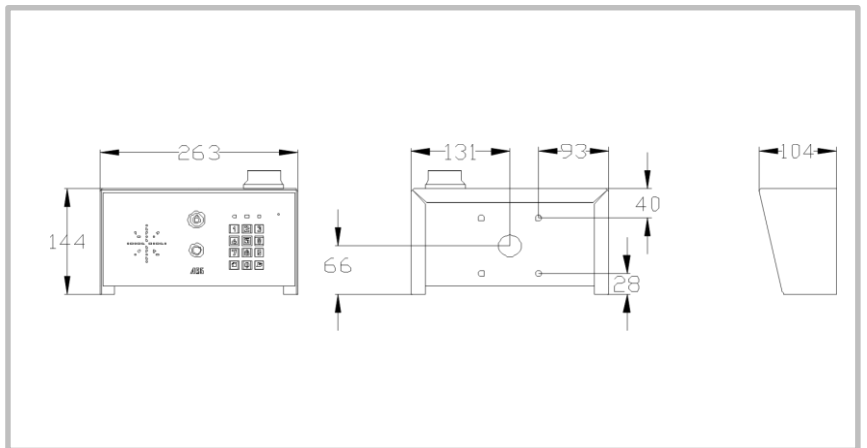
CellCom  
Prime



GSM-5iB	PRIME model (2G only)
GSM-5iB/3GE	PRIME model with dual 3G/2G capability (European & Australian version)
GSM-5iB/3GA	PRIME model with dual 3G/2G capability (US & Canada version)

- Industrial version for pedestal mount, vehicle entrances, trucks and loud industrial applications.
- BS316 marine grade stainless steel construction with gloss black face trim.
- Kit includes speech panel, antenna, power supply and install manual.

### Industrial Panel with Keypad



GSM-5iBK	PRIME model (2G only)
GSM-5iBK/3GE	PRIME model with dual 3G/2G capability (European & Australian version)
GSM-5iBK/3GA	PRIME model with dual 3G/2G capability (US & Canada version)

- Industrial version for pedestal mount, vehicle entrances, trucks and loud industrial applications.
- BS316 marine grade stainless steel construction with gloss black face trim.
- Kit includes speech panel, antenna, power supply and install manual.